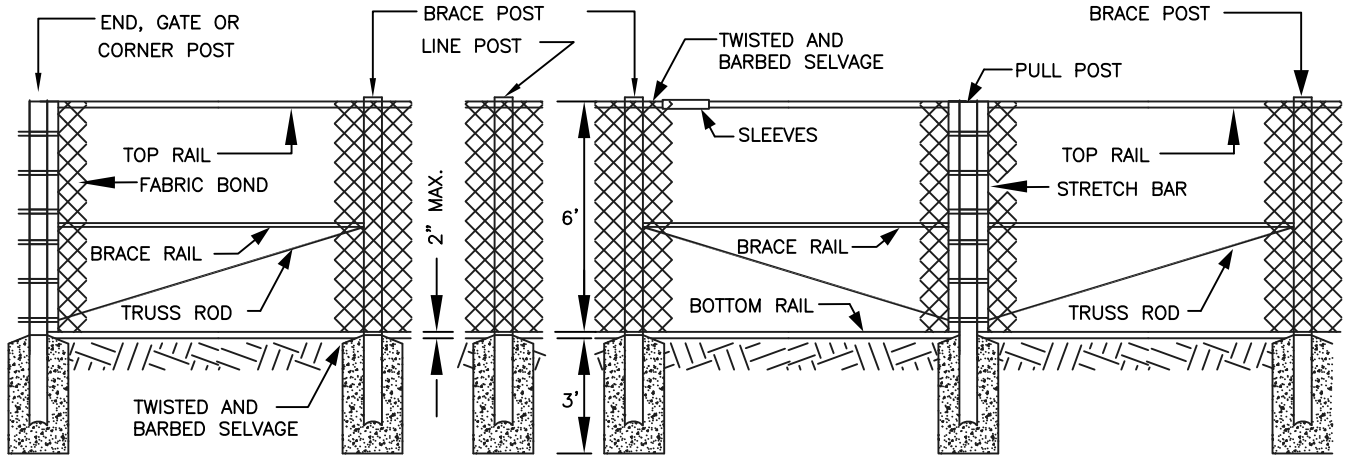
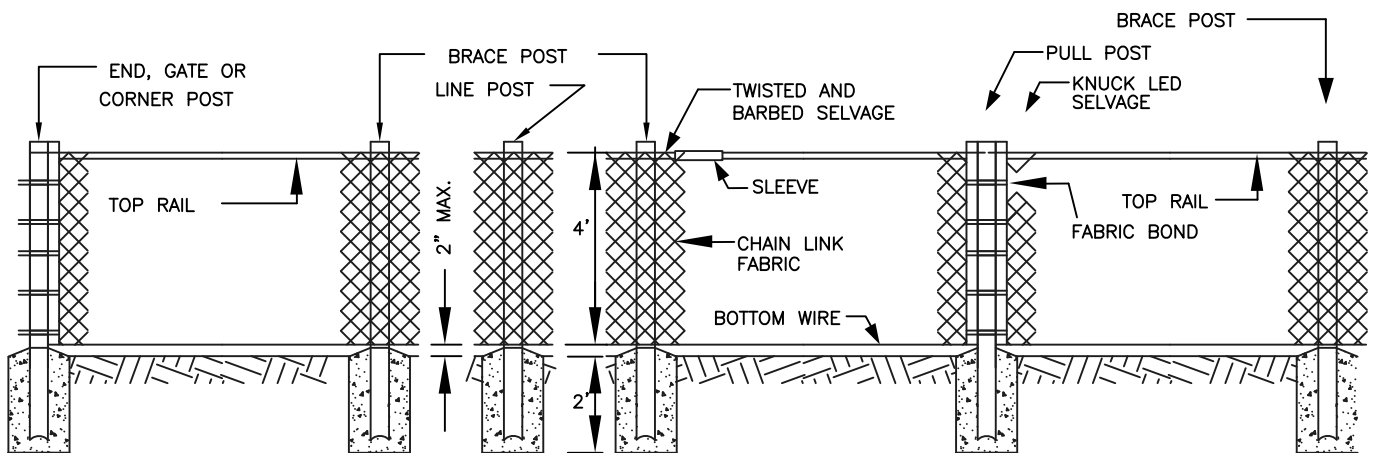


STANDARD BLACK VINYL CHAIN LINK FENCING TO BE USED FOR PUBLIC RIGHT OF WAY WHEN NECESSARY.



CHAIN LINK FENCE TYPE 1

SCALE: 1:5



CHAIN LINK FENCE TYPE 6

SCALE: 1:4

NOTES:

1. ALL CHAIN LINK FENCE SHALL BE TYPE 6 FORTY-EIGHT (48") AS PER WSDOT STANDARD PLAN L-2, BOTTOM AND TOP, BRACE POST AND CHAIN LINK. BOTTOM AND TOP SHALL HAVE A BLACK VINYL COATING. SPECIFICATIONS - NOTE 3.
2. CHAIN LINK GATE SHALL BE AS SHOWN IN WSDOT STANDARD PLAN L-3. PER SECTION 9-16.1(1) AND AS AMENDED BY NOTE #3.
3. SECTION 9-16.1(1) SHALL BE SUPPLEMENTED WITH THE FOLLOWING: IN ADDITION TO MEETING THE COATING AND MATERIAL REQUIREMENTS OF SECTION 9-16 OF THE STANDARD SPECIFICATIONS, ALL FENCE AND GATE PARTS OF FENCE NOTED AS VINYL COATED SHALL HAVE A BLACK VINYL CLAD COATING AND ALL PARTS MATCH IN COLOR. COATING OF FABRIC SHALL BE EXTRUDED/BONDED OF 0.015 INCH THICKNESS. COATING FOR POSTS AND RAILS SHALL BE 3 MIL POWDER COAT. ALL BOLTS NUTS, AND WIRE TIES SHALL BE POWDER COATED TO MATCH THE COLOR OF THE FENCE FABRIC.
4. FENCE PLACEMENT AND LOCATION REQUIRES CITY ENGINEER APPROVAL. PLACEMENT IS INTENDED FOR AREAS THAT HAVE VERTICAL DROPS GREATER THAN THREE FEET AND TO DIVIDE PUBLIC AND PRIVATE PROPERTY AT RIGHT OF WAY LINE



CITY OF  
PUYALLUP

DEVELOPMENT ENGINEERING and  
PUBLIC WORKS DEPARTMENTS

CHAIN LINK FENCE  
TYPE 1 AND TYPE 6

DRAWN BY  
JIM ERWIN-SVOBODA

CHECKED BY  
LINDA LIAN

APPROVED BY  
COLLEEN HARRIS

REVISED BY  
XXXX

CITY  
STANDARD

FILE NAME  
F:\DWG\COMMON\STDS\CITY\2009\06\_MISC\06.01\06.01.08

DATE APPROVED  
07/01/2009

DATE REVISED  
XX/XX/XX

SCALE  
VARIES

06.01.08