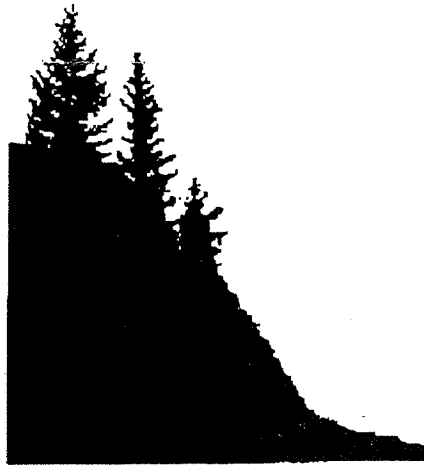


# Hillside Hazard Area

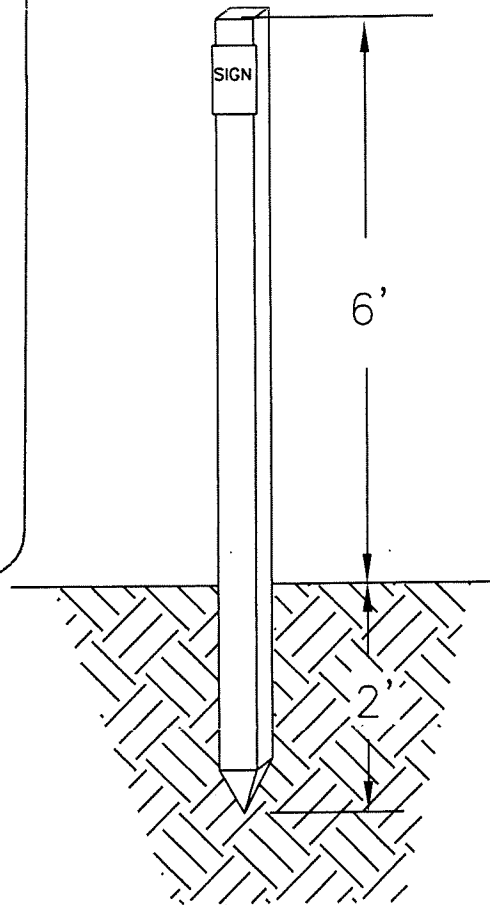


City of Puyallup  
Community Development

P-3984

J. L. DARLING CORP.  
(253) 922-5000

Max Sign Posting Distance  
1 sign every 50'



4"x4" TREATED POST  
WITH BUFFER SIGN



CITY OF  
**PUYALLUP**  
COMMUNITY  
DEVELOPMENT  
DEPARTMENT

## SIGN POSTING DETAIL

DRAWN BY JENNIFER RAY	PLOTTING SCALE NTS/ 1=1	DATE APPROVED 9-02	REVISED	SIGN POSTING DETAIL
FILE NAME E:\DRAWINGS\COMMUNITY\GRAPHICS\SIGN_POSTING_STANDARD.DWG	CHECKED BY S. PILCHER	REVISED BY		