

GEOMETRICS TABLE

RADIUS (AT CURB FACE)	W = 3' - 0"	W = 4' - 0"	W = 5' - 0"	W = 6' - 0"
	X	X	X	X
25 FEET	6'-3 1/3"	5'-7 1/4"	4'-11 1/8"	4'-4 3/4"
30 FEET	7'-3 3/4"	6'-5 1/2"	5'-9 1/4"	5'-2 1/2"
35 FEET	8'-1 1/3"	7'-1 3/4"	6'-5 1/8"	5'-10 1/8"
40 FEET	8'-9 1/2"	7'-10"	7'-1"	6'-5 3/4"
50 FEET	10'-3/4"	9'-1/4"	8'-2 1/2"	7'-6 1/2"

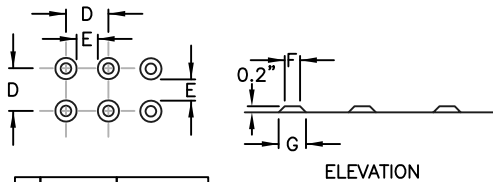
X = LANDING

CURB GRADE	PROVAG UP-HILL RAMP LENGTH	PROVAG RAMP SLOPE
0.5%	6'-5"	8.3%
1.5%	7'-6"	8.3%
3%	9'-5"	8.3%
5%	15'	8.3%
7%	15'	10.3%
9%	15'	12.3%

NOTES:

1. AVOID PLACING DRAINAGE STRUCTURES OR OTHER OBSTRUCTIONS IN RAMP AND CROSSING AREA.
2. DETECTABLE WARNING PATTERNS MAY BE CREATED BY ANY METHOD THAT WILL ACHIEVE THE TRUNCATED DOME DIMENSIONS AND SPACING SHOWN. THE DETECTABLE WARNING PATTERN AREA SHALL BE YELLOW, AND MATCH THE COLOR OF "FEDERAL STANDARD 595, COLOR NUMBER 33538.
3. FOR SIDEWALK EXPANSION JOINT LOCATIONS AND ADDITIONAL INFORMATION, SEE CITY STANDARD DETAIL NO. 01.02.01 & 01.02.02.
4. CURB RAMP SLOPE SHALL NOT EXCEED 8.3%, AS MEASURED BY A SMART LEVEL, UNLESS RAMP LENGTH IS EXTENDED TO 15'.

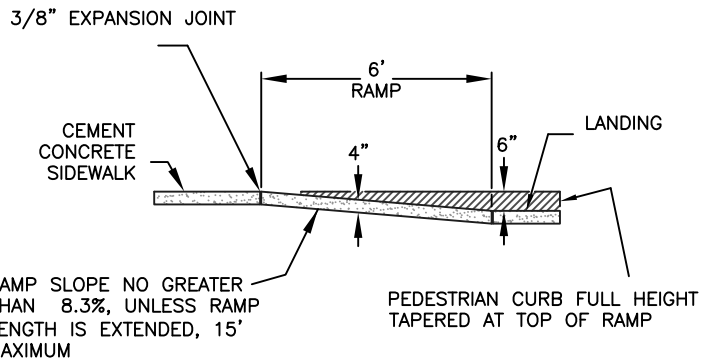
SCALE: 1"=20'



	MIN.	MAX.
D	1.6"	2.4"
E	0.65"	-
F	50% OF E	65% OF E
G	0.9"	1.4"

DETECTABLE WARNING PATTERN
DETAIL

SCALE: 1:2



SECTION (B)

SCALE: 1"=5'



CITY OF
PUYALLUP

DEVELOPMENT ENGINEERING and
PUBLIC WORKS DEPARTMENTS

SIDEWALK RAMP WITH
COMMERCIAL APPROACHES

DRAWN BY
JIM ERWIN-SVOBODA

CHECKED BY
LINDA LIAN

APPROVED BY
COLLEEN HARRIS

REVISED BY
LINDA LIAN

CITY
STANDARD

FILE NAME
F:\DWG\COMMON\STDS\CITY\2009\01_STR\01.02\01.02.19

DATE APPROVED
07/01/2009

DATE REVISED
08/09/12

SCALE
VARIES

01.02.19